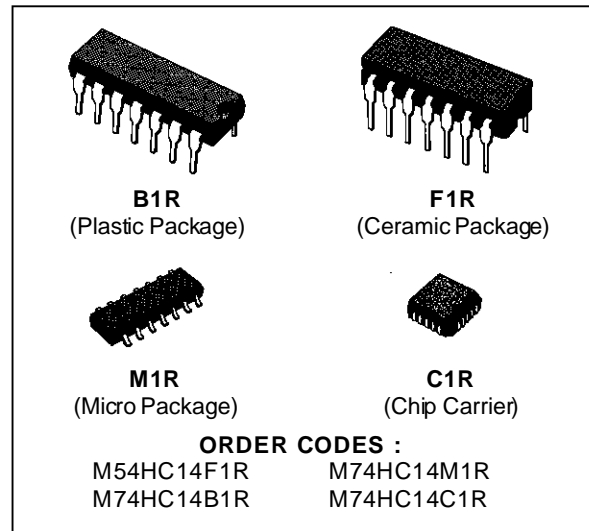


HEX SCHMITT INVERTER

- HIGH SPEED
 $t_{PD} = 11 \text{ ns (TYP.) AT } V_{CC} = 5 \text{ V}$
- LOW POWER DISSIPATION
 $I_{CC} = 1 \mu\text{A (MAX.) AT } T_A = 25 \text{ }^\circ\text{C}$
- HIGH NOISE IMMUNITY
 $V_H = 1.1 \text{ V (TYP.) AT } V_{CC} = 5 \text{ V}$
- OUTPUT DRIVE CAPABILITY
 10 LSTTL LOADS
- SYMMETRICAL OUTPUT IMPEDANCE
 $|I_{OH}| = I_{OL} = 4 \text{ mA (MIN.)}$
- BALANCED PROPAGATION DELAYS
 $t_{PLH} = t_{PHL}$
- WIDE OPERATING VOLTAGE RANGE
 $V_{CC} \text{ (OPR)} = 2 \text{ V TO } 6 \text{ V}$
- PIN AND FUNCTION COMPATIBLE WITH
 54/74LS14

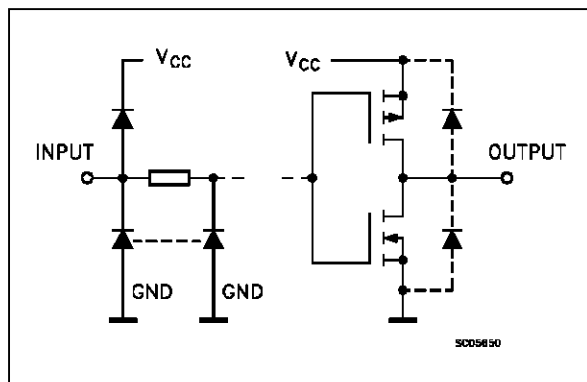


DESCRIPTION

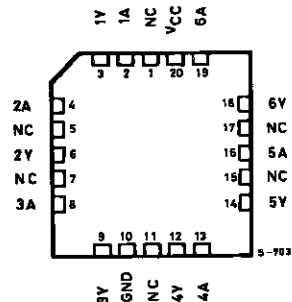
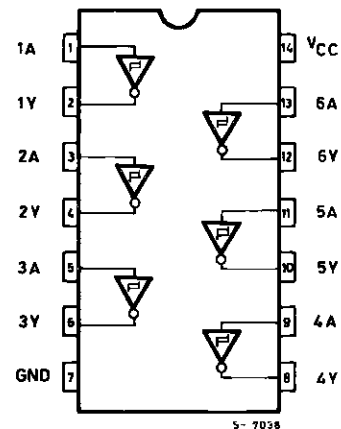
The M54/74HC14 is a high speed CMOS HEX SCHMITT INVERTER fabricated in silicon gate C²MOS technology. It has the same high speed performance of LSTTL combined with true CMOS low power consumption. Pin configuration and function are the same as those of the HC04 but all inputs have 20 % V_{CC} hysteresis level.

This together with its schmitt trigger function allows it to be used on line receivers with slow rise/fall input signals. All inputs are equipped with protection circuits against static discharge and transient excess voltage.

INPUT AND OUTPUT EQUIVALENT CIRCUIT



PIN CONNECTIONS (top view)



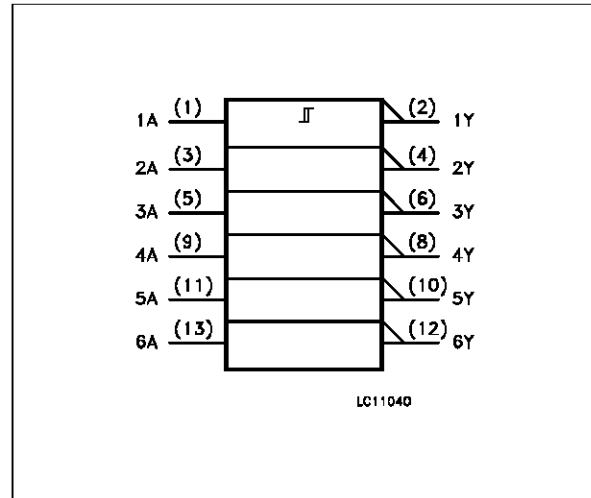
NC =
No Internal
Connection

M54/M74HC14

TRUTH TABLE

| | |
|---|---|
| A | Y |
| L | H |
| H | L |

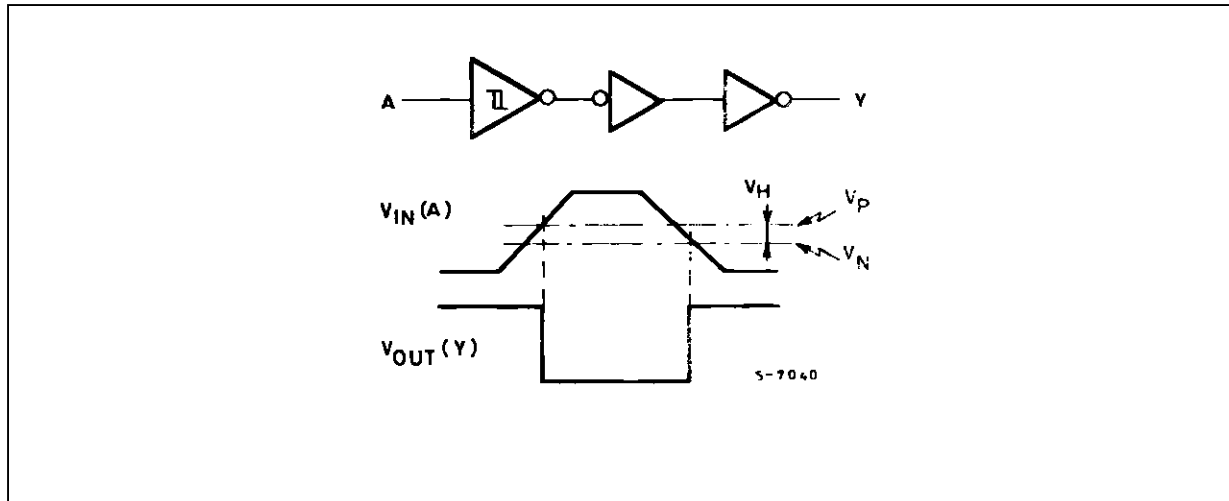
IEC LOGIC SYMBOL



PIN DESCRIPTION

| PIN No | SYMBOL | NAME AND FUNCTION |
|--------------------|-----------------|-------------------------|
| 1, 3, 5, 9, 11, 13 | 1A to 6A | Data Inputs |
| 2, 4, 6, 8, 10, 12 | 1Y to 6Y | Data Outputs |
| 7 | GND | Ground (0V) |
| 14 | V _{CC} | Positive Supply Voltage |

LOGIC DIAGRAM/WAVEFORM



ABSOLUTE MAXIMUM RATINGS

| Symbol | Parameter | Value | Unit |
|-------------------------------------|--|-------------------------------|------|
| V _{CC} | Supply Voltage | -0.5 to +7 | V |
| V _I | DC Input Voltage | -0.5 to V _{CC} + 0.5 | V |
| V _O | DC Output Voltage | -0.5 to V _{CC} + 0.5 | V |
| I _{IK} | DC Input Diode Current | ± 20 | mA |
| I _{OK} | DC Output Diode Current | ± 20 | mA |
| I _O | DC Output Source Sink Current Per Output Pin | ± 25 | mA |
| I _{CC} or I _{GND} | DC V _{CC} or Ground Current | ± 50 | mA |
| P _D | Power Dissipation | 500 (*) | mW |
| T _{stg} | Storage Temperature | -65 to +150 | °C |
| T _L | Lead Temperature (10 sec) | 300 | °C |

Absolute Maximum Ratings are those values beyond which damage to the device may occur. Functional operation under these condition is not implied.

(*) 500 mW: ≅ 65 °C derate to 300 mW by 10mW/°C: 65 °C to 85 °C

RECOMMENDED OPERATING CONDITIONS

| Symbol | Parameter | Value | Unit |
|------------|---|---------------------------|----------------------------|
| V_{CC} | Supply Voltage | 2 to 6 | V |
| V_I | Input Voltage | 0 to V_{CC} | V |
| V_O | Output Voltage | 0 to V_{CC} | V |
| T_{op} | Operating Temperature: M54HC Series M74HC Series | -55 to +125 -40 to +85 | $^{\circ}C$ $^{\circ}C$ |
| t_r, t_f | Input Rise and Fall Time | No Limits | |

DC SPECIFICATIONS

| Symbol | Parameter | Test Conditions | | Value | | | | | | Unit | |
|----------|------------------------------|-----------------------|------|--------------------------------------|------|-----------|--------------------------------|---------|---------------------------------|---------|---------|
| | | | | $T_A = 25^{\circ}C$ 54HC and 74HC | | | -40 to $85^{\circ}C$ 74HC | | -55 to $125^{\circ}C$ 54HC | | |
| | | | | Min. | Typ. | Max. | Min. | Max. | Min. | | Max. |
| V_P | High Level Threshold Voltage | V_{CC} (V) | 2.0 | 1.0 | 1.25 | 1.5 | 1.0 | 1.5 | 1.0 | 1.5 | V |
| | | 4.5 | 2.3 | 2.7 | 3.15 | 2.3 | 3.15 | 2.3 | 3.15 | | |
| | | 6.0 | 3.0 | 3.5 | 4.2 | 3.0 | 4.2 | 3.0 | 4.2 | | |
| V_N | Low Level Threshold Voltage | V_{CC} (V) | 2.0 | 0.3 | 0.65 | 0.9 | 0.3 | 0.9 | 0.3 | 0.9 | V |
| | | 4.5 | 1.13 | 1.6 | 2.0 | 1.13 | 2.0 | 1.13 | 2.0 | | |
| | | 6.0 | 1.5 | 2.3 | 2.6 | 1.5 | 2.6 | 1.5 | 2.6 | | |
| V_H | Hysteresis Voltage | V_{CC} (V) | 2.0 | 0.3 | 0.6 | 1.0 | 0.3 | 1.0 | 0.3 | 1.0 | V |
| | | 4.5 | 0.6 | 1.1 | 1.4 | 0.6 | 1.4 | 0.6 | 1.4 | | |
| | | 6.0 | 0.8 | 1.2 | 1.4 | 0.8 | 1.7 | 0.8 | 1.7 | | |
| V_{OH} | High Level Output Voltage | V_{CC} (V) | 2.0 | 1.9 | 2.0 | | 1.9 | | 1.9 | | V |
| | | 4.5 | 4.4 | 4.5 | | 4.4 | | 4.4 | | | |
| | | 6.0 | 5.9 | 6.0 | | 5.9 | | 5.9 | | | |
| | | 4.5 | 4.18 | 4.31 | | 4.13 | | 4.10 | | | |
| | | 6.0 | 5.68 | 5.8 | | 5.63 | | 5.60 | | | |
| V_{OL} | Low Level Output Voltage | V_{CC} (V) | 2.0 | | 0.0 | 0.1 | | 0.1 | | 0.1 | V |
| | | 4.5 | | | 0.0 | 0.1 | | 0.1 | | 0.1 | |
| | | 6.0 | | | 0.0 | 0.1 | | 0.1 | | 0.1 | |
| | | 4.5 | | 0.17 | 0.26 | | 0.33 | | 0.40 | | |
| | | 6.0 | | 0.18 | 0.26 | | 0.33 | | 0.40 | | |
| I_I | Input Leakage Current | $V_I = V_{CC}$ or GND | 6.0 | | | ± 0.1 | | ± 1 | | ± 1 | μA |
| I_{CC} | Quiescent Supply Current | $V_I = V_{CC}$ or GND | 6.0 | | | 1 | | 10 | | 20 | μA |

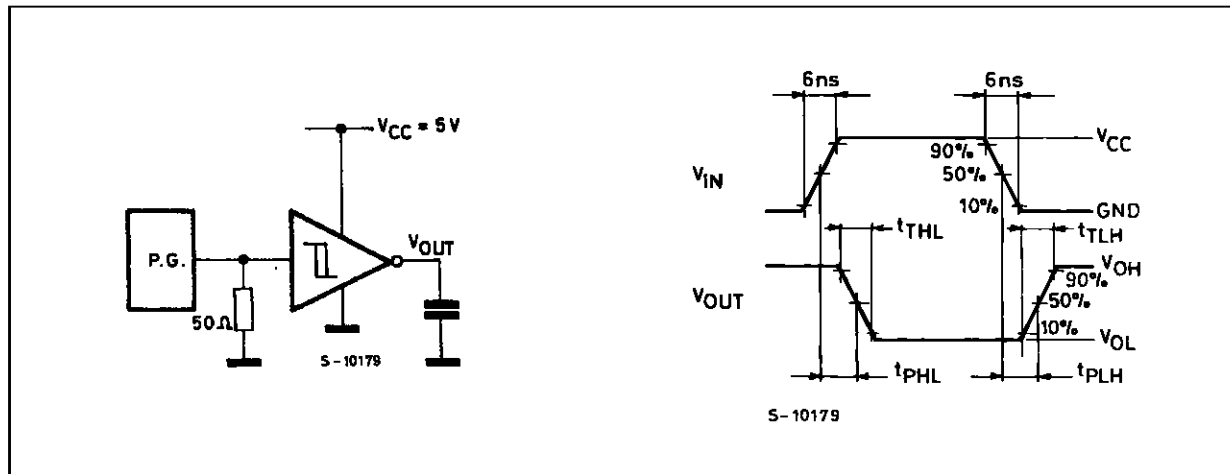
M54/M74HC14

AC ELECTRICAL CHARACTERISTICS (C_L = 50 pF, Input t_r = t_f = 6 ns)

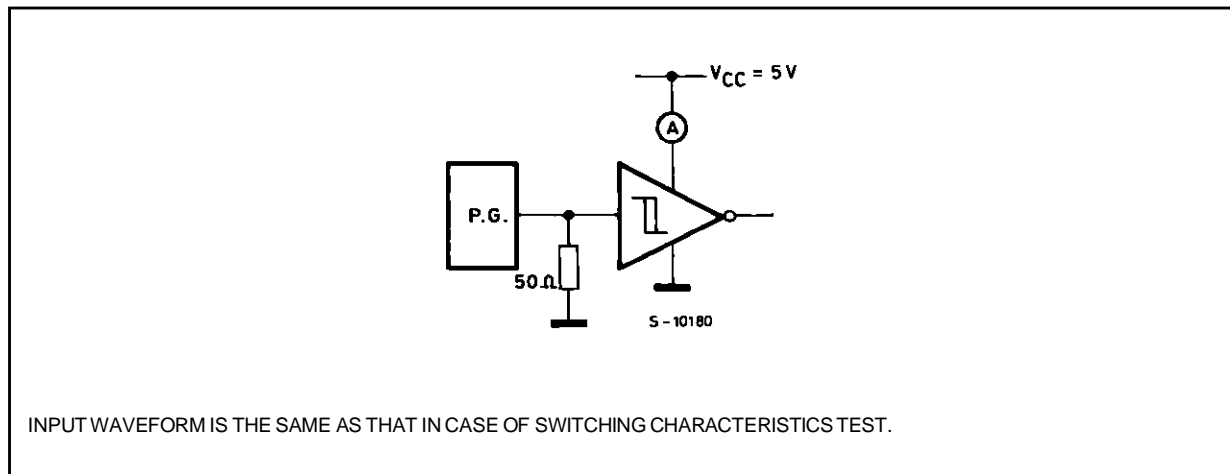
| Symbol | Parameter | Test Conditions | | Value | | | | | | Unit | |
|--------------------------------------|-------------------------------|---------------------|--|---|------|------|----------------------|------|-----------------------|------|------|
| | | V _{CC} (V) | | T _A = 25 °C 54HC and 74HC | | | -40 to 85 °C 74HC | | -55 to 125 °C 54HC | | |
| | | | | Min. | Typ. | Max. | Min. | Max. | Min. | | Max. |
| t _{TLH} t _{THL} | Output Transition Time | 2.0 | | | 30 | 75 | | 95 | | 110 | ns |
| | | 4.5 | | | 8 | 15 | | 19 | | 22 | |
| | | 6.0 | | | 7 | 13 | | 16 | | 19 | |
| t _{PLH} t _{PHL} | Propagation Delay Time | 2.0 | | | 42 | 125 | | 155 | | 190 | ns |
| | | 4.5 | | | 14 | 25 | | 31 | | 38 | |
| | | 6.0 | | | 12 | 21 | | 26 | | 32 | |
| C _{IN} | Input Capacitance | | | | 5 | 10 | | 10 | | 10 | pF |
| C _{PD} (*) | Power Dissipation Capacitance | | | | 28 | | | | | | pF |

(*) C_{PD} is defined as the value of the IC's internal equivalent capacitance which is calculated from the operating current consumption without load. (Refer to Test Circuit). Average operating current can be obtained by the following equation. $I_{CC(opr)} = C_{PD} \cdot V_{CC} \cdot f_{IN} + I_{CC}$

SWITCHING CHARACTERISTICS TEST CIRCUIT



TEST CIRCUIT I_{CC} (Opr.)



Plastic DIP14 MECHANICAL DATA

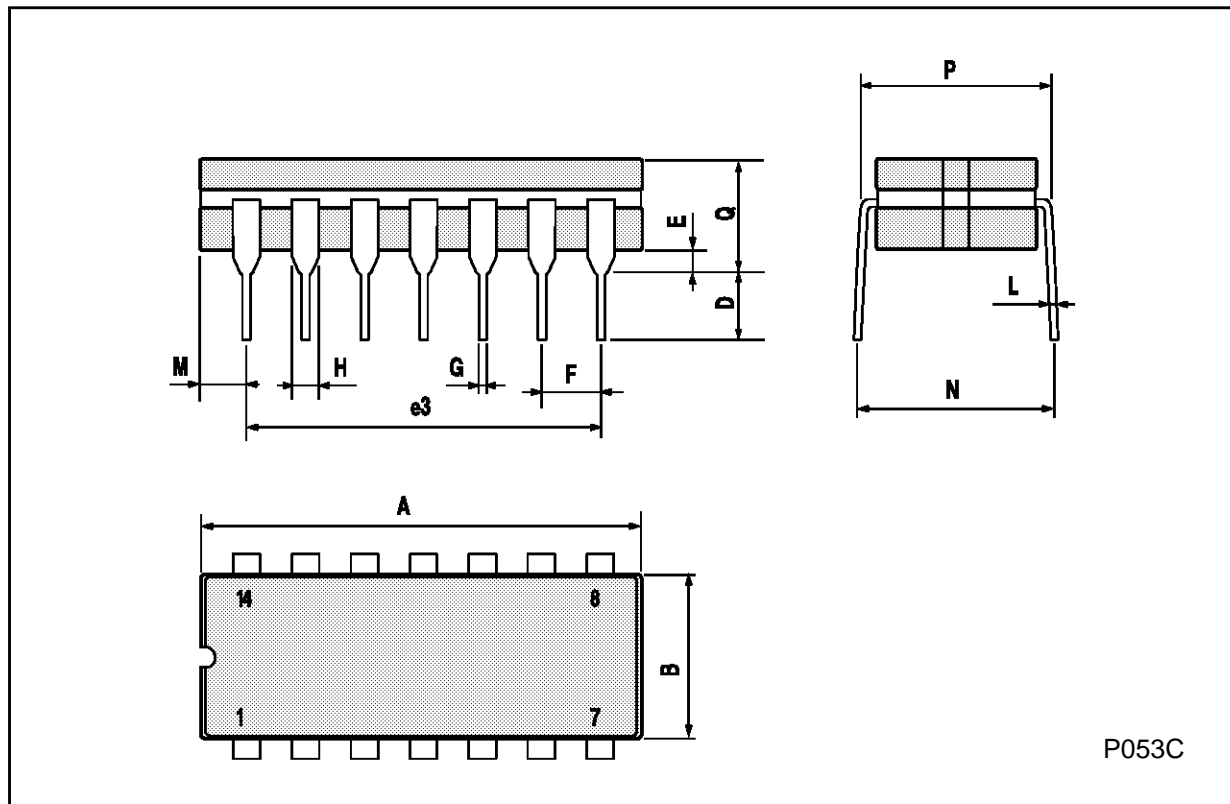
| DIM. | mm | | | inch | | |
|------|------|-------|------|-------|-------|-------|
| | MIN. | TYP. | MAX. | MIN. | TYP. | MAX. |
| a1 | 0.51 | | | 0.020 | | |
| B | 1.39 | | 1.65 | 0.055 | | 0.065 |
| b | | 0.5 | | | 0.020 | |
| b1 | | 0.25 | | | 0.010 | |
| D | | | 20 | | | 0.787 |
| E | | 8.5 | | | 0.335 | |
| e | | 2.54 | | | 0.100 | |
| e3 | | 15.24 | | | 0.600 | |
| F | | | 7.1 | | | 0.280 |
| I | | | 5.1 | | | 0.201 |
| L | | 3.3 | | | 0.130 | |
| Z | 1.27 | | 2.54 | 0.050 | | 0.100 |



P001A

Ceramic DIP14/1 MECHANICAL DATA

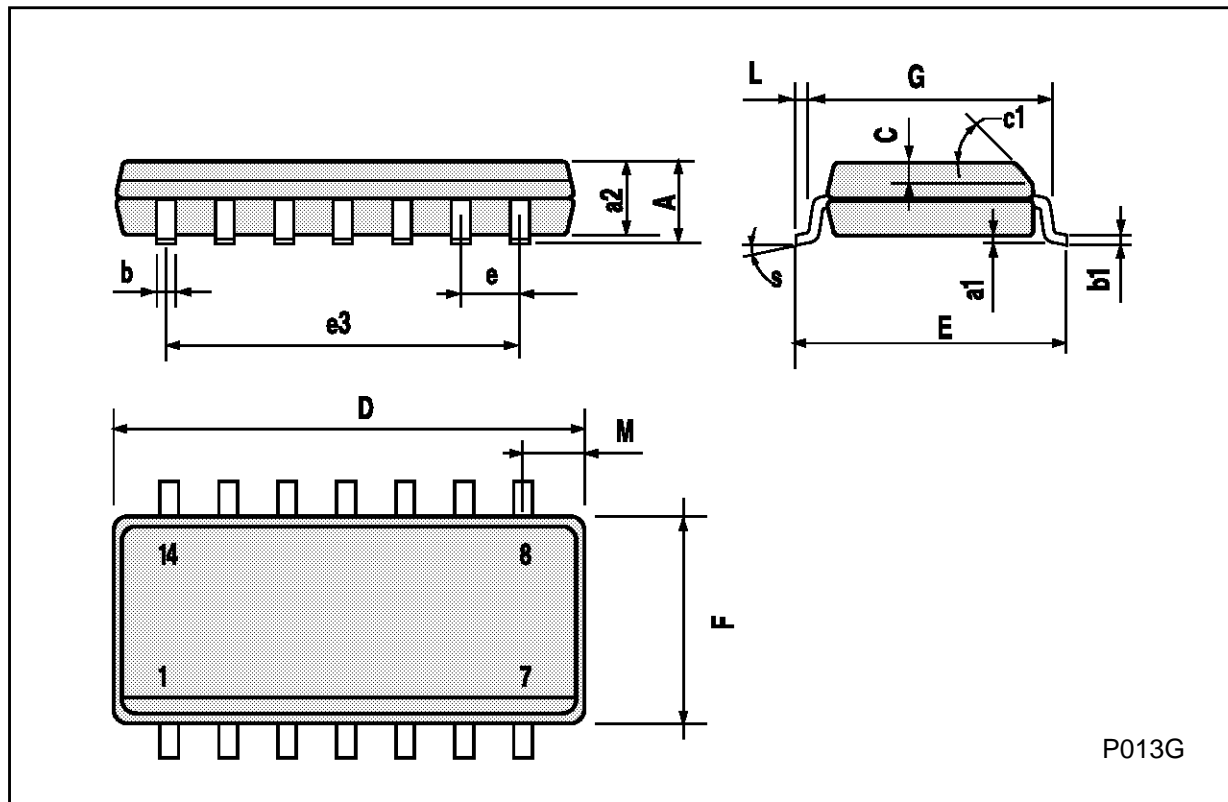
| DIM. | mm | | | inch | | |
|------|------|-------|------|-------|-------|-------|
| | MIN. | TYP. | MAX. | MIN. | TYP. | MAX. |
| A | | | 20 | | | 0.787 |
| B | | | 7.0 | | | 0.276 |
| D | | 3.3 | | | 0.130 | |
| E | 0.38 | | | 0.015 | | |
| e3 | | 15.24 | | | 0.600 | |
| F | 2.29 | | 2.79 | 0.090 | | 0.110 |
| G | 0.4 | | 0.55 | 0.016 | | 0.022 |
| H | 1.17 | | 1.52 | 0.046 | | 0.060 |
| L | 0.22 | | 0.31 | 0.009 | | 0.012 |
| M | 1.52 | | 2.54 | 0.060 | | 0.100 |
| N | | | 10.3 | | | 0.406 |
| P | 7.8 | | 8.05 | 0.307 | | 0.317 |
| Q | | | 5.08 | | | 0.200 |



P053C

SO14 MECHANICAL DATA

| DIM. | mm | | | inch | | |
|------|------------|------|------|-------|-------|-------|
| | MIN. | TYP. | MAX. | MIN. | TYP. | MAX. |
| A | | | 1.75 | | | 0.068 |
| a1 | 0.1 | | 0.2 | 0.003 | | 0.007 |
| a2 | | | 1.65 | | | 0.064 |
| b | 0.35 | | 0.46 | 0.013 | | 0.018 |
| b1 | 0.19 | | 0.25 | 0.007 | | 0.010 |
| C | | 0.5 | | | 0.019 | |
| c1 | 45° (typ.) | | | | | |
| D | 8.55 | | 8.75 | 0.336 | | 0.344 |
| E | 5.8 | | 6.2 | 0.228 | | 0.244 |
| e | | 1.27 | | | 0.050 | |
| e3 | | 7.62 | | | 0.300 | |
| F | 3.8 | | 4.0 | 0.149 | | 0.157 |
| G | 4.6 | | 5.3 | 0.181 | | 0.208 |
| L | 0.5 | | 1.27 | 0.019 | | 0.050 |
| M | | | 0.68 | | | 0.026 |
| S | 8° (max.) | | | | | |



PLCC20 MECHANICAL DATA

| DIM. | mm | | | inch | | |
|------|------|------|-------|-------|-------|-------|
| | MIN. | TYP. | MAX. | MIN. | TYP. | MAX. |
| A | 9.78 | | 10.03 | 0.385 | | 0.395 |
| B | 8.89 | | 9.04 | 0.350 | | 0.356 |
| D | 4.2 | | 4.57 | 0.165 | | 0.180 |
| d1 | | 2.54 | | | 0.100 | |
| d2 | | 0.56 | | | 0.022 | |
| E | 7.37 | | 8.38 | 0.290 | | 0.330 |
| e | | 1.27 | | | 0.050 | |
| e3 | | 5.08 | | | 0.200 | |
| F | | 0.38 | | | 0.015 | |
| G | | | 0.101 | | | 0.004 |
| M | | 1.27 | | | 0.050 | |
| M1 | | 1.14 | | | 0.045 | |



Information furnished is believed to be accurate and reliable. However, SGS-THOMSON Microelectronics assumes no responsibility for the consequences of use of such information nor for any infringement of patents or other rights of third parties which may result from its use. No license is granted by implication or otherwise under any patent or patent rights of SGS-THOMSON Microelectronics. Specifications mentioned in this publication are subject to change without notice. This publication supersedes and replaces all information previously supplied. SGS-THOMSON Microelectronics products are not authorized for use as critical components in life support devices or systems without express written approval of SGS-THOMSON Microelectronics.

© 1994 SGS-THOMSON Microelectronics - All Rights Reserved

SGS-THOMSON Microelectronics GROUP OF COMPANIES

Australia - Brazil - France - Germany - Hong Kong - Italy - Japan - Korea - Malaysia - Malta - Morocco - The Netherlands -
Singapore - Spain - Sweden - Switzerland - Taiwan - Thailand - United Kingdom - U.S.A